

***cincoze***

# CV-100 Series

## User Manual



**Convertible Display Module**  
8.4" - 24" TFT-LCD Display Module

# Contents

- Preface .....3
  - Revision .....3
  - Copyright Notice .....3
  - Acknowledgement .....3
  - Disclaimer.....3
  - Declaration of Conformity.....4
  - Product Warranty Statement .....4
  - Technical Support and Assistance .....5
  - Conventions Used in this Manual .....6
  - Safety Precautions.....6
  - Package Contents .....7
  - Ordering Information .....9
- Chapter 1 Product Introductions .....12
  - 1.1 Overview .....13
  - 1.2 Key Features.....13
  - 1.3 Hardware Specification .....14
    - 1.3.1 CV-108R/CV-108C .....14
    - 1.3.2 CV-110R/CV-110C .....16
    - 1.3.3 CV-110HR/CV-110HC .....18
    - 1.3.4 CV-112HR/CV-112HC .....20
    - 1.3.5 CV-115R/CV-115C .....22
    - 1.3.6 CV-W115R/CV-W115C .....24
    - 1.3.7 CV-117R/CV-117C/CV-117G .....26
    - 1.3.8 CV-119R/CV-119C/CV-119G .....28
    - 1.3.9 CV-W121R/CV-W121C/CV-W121G .....30
    - 1.3.10 CV-W124R/CV-W124C/CV-W124G .....32
- Chapter 2 System Setup .....34
  - 2.1 Connecting with PC Module or Monitor Module .....35
  - 2.2 Installing Panel Mount .....37

# Preface

## Revision

Revision	Description	Date
1.00	Manual Released	2014/10/20
1.10	CV-110H and CV-112H Product Info and Mechanical Dimensions Added	2015/12/10
1.20	Corrections made	2016/04/12
1.30	Added panel mount guide	2016/06/29
1.40	Added New CV-100 Series Products Information	2018/09/07
1.50	Corrections made	2018/10/17
1.60	CV-W124 Product Info and Mechanical Dimensions Added	2019/01/14
1.70	CV-108C Product Info and Mechanical Dimensions Added	2019/02/15
1.80	CV-W124G Product Info and Mechanical Dimensions Added	2019/05/17
1.81	New Format Updated	2020/10/22
1.82	Partial model revised	2022/08/19
1.83	Correction Made	2024/01/30

## Copyright Notice

© 2014 by Cincoze Co., Ltd. All rights are reserved. No parts of this manual may be copied, modified, or reproduced in any form or by any means for commercial use without the prior written permission of Cincoze Co., Ltd. All information and specification provided in this manual are for reference only and remain subject to change without prior notice.

## Acknowledgement

Cincoze is a registered trademark of Cincoze Co., Ltd. All registered trademarks and product names mentioned herein are used for identification purposes only and may be trademarks and/or registered trademarks of their respective owners.

## Disclaimer

This manual is intended to be used as a practical and informative guide only and is subject to change without notice. It does not represent a commitment on the part of Cincoze. This product might include unintentional technical or typographical errors. Changes are periodically made to the information herein to correct such errors, and these changes are incorporated into new editions of the publication.

## Declaration of Conformity



### FCC

This equipment has been tested and found to comply with the limits for a Class A digital device, pursuant to Part 15 of the FCC Rules. These limits are designed to provide reasonable protection against harmful interference when the equipment is operated in a commercial environment. This equipment generates, uses, and can radiate radio frequency energy and, if not installed and used in accordance with the instruction manual, may cause harmful interference to radio communications. Operation of this equipment in a residential area is likely to cause harmful interference in which case the user will be required to correct the interference at his own expense.



### CE

The product(s) described in this manual complies with all application European Union (CE) directives if it has a CE marking. For computer systems to remain CE compliant, only CE-compliant parts may be used. Maintaining CE compliance also requires proper cable and cabling techniques.



### RU

UL Recognized Components have been evaluated by UL for factory installation within equipment where the component's limitations of use are known and investigated by UL.

UL Recognized Components have conditions of acceptability that describe how components can be used within end products.

## Product Warranty Statement

### Warranty

Cincoze products are warranted by Cincoze Co., Ltd. to be free from defect in materials and workmanship for 2 years (2 Years for PC Module, 1 Year for Display Module) from the date of purchase by the original purchaser. During the warranty period, we shall, at our option, either repair or replace any product that proves to be defective under normal operation. Defects, malfunctions, or failures of the warranted product caused by damage resulting from natural disasters (such as by lightning, flood, earthquake, etc.), environmental and atmospheric disturbances, other external forces such as power line disturbances, plugging the board in under power, or incorrect cabling, and damage caused by misuse, abuse, and unauthorized alteration or repair, and the product in question is either software, or an expendable item (such as a fuse, battery, etc.), are not warranted.

## RMA

Before sending your product in, you will need to fill in Cincoze RMA Request Form and obtain a RMA number from us. Our staff is available at any time to provide you with the most friendly and immediate service.

### ■ RMA Instruction

- Customers must fill in Cincoze Return Merchandise Authorization (RMA) Request Form and obtain an RMA number prior to returning a defective product to Cincoze for service.
- Customers must collect all the information about the problems encountered and note anything abnormal and describe the problems on the “Cincoze Service Form” for the RMA number apply process.
- Charges may be incurred for certain repairs. Cincoze will charge for repairs to products whose warranty period has expired. Cincoze will also charge for repairs to products if the damage resulted from acts of God, environmental or atmospheric disturbances, or other external forces through misuse, abuse, or unauthorized alteration or repair. If charges will be incurred for a repair, Cincoze lists all charges, and will wait for customer’s approval before performing the repair.
- Customers agree to ensure the product or assume the risk of loss or damage during transit, to prepay shipping charges, and to use the original shipping container or equivalent.
- Customers can be sent back the faulty products with or without accessories (manuals, cable, etc.) and any components from the system. If the components were suspected as part of the problems, please note clearly which components are included. Otherwise, Cincoze is not responsible for the devices/parts.
- Repaired items will be shipped along with a "Repair Report" detailing the findings and actions taken.

### Limitation of Liability

Cincoze’ liability arising out of the manufacture, sale, or supplying of the product and its use, whether based on warranty, contract, negligence, product liability, or otherwise, shall not exceed the original selling price of the product. The remedies provided herein are the customer’s sole and exclusive remedies. In no event shall Cincoze be liable for direct, indirect, special or consequential damages whether based on contract of any other legal theory.

### Technical Support and Assistance

1. Visit the Cincoze website at [www.cincoze.com](http://www.cincoze.com) where you can find the latest information about the product.
2. Contact your distributor or our technical support team or sales representative for technical support if you need additional assistance. Please have following information ready before you

call:

- Product name and serial number
- Description of your peripheral attachments
- Description of your software (operating system, version, application software, etc.)
- A complete description of the problem
- The exact wording of any error messages

## Conventions Used in this Manual



**WARNING**  
(AVERTIR)

**This indication alerts operators to an operation that, if not strictly observed, may result in severe injury.**

**(Cette indication avertit les opérateurs d'une opération qui, si elle n'est pas strictement observée, peut entraîner des blessures graves.)**



**CAUTION**  
(ATTENTION)

**This indication alerts operators to an operation that, if not strictly observed, may result in safety hazards to personnel or damage to equipment.**

**(Cette indication avertit les opérateurs d'une opération qui, si elle n'est pas strictement observée, peut entraîner des risques pour la sécurité du personnel ou des dommages à l'équipement.)**



**NOTE**  
(NOTE)

**This indication provides additional information to complete a task easily.**

**(Cette indication fournit des informations supplémentaires pour effectuer facilement une tâche.)**

## Safety Precautions

Before installing and using this device, please note the following precautions.

1. Read these safety instructions carefully.
2. Keep this User's Manual for future reference.
3. Disconnect this equipment from any AC outlet before cleaning.
4. For plug-in equipment, the power outlet socket must be located near the equipment and must be easily accessible.
5. Keep this equipment away from humidity.
6. Put this equipment on a reliable surface during installation. Dropping it or letting it fall may cause damage.
7. Make sure the voltage of the power source is correct before connecting the equipment to the power outlet.
8. Use a power cord that has been approved for using with the product and that it matches the voltage and current marked on the product's electrical range label. The voltage and current

rating of the cord must be greater than the voltage and current rating marked on the product.

9. Position the power cord so that people cannot step on it. Do not place anything over the power cord.
10. All cautions and warnings on the equipment should be noted.
11. If the equipment is not used for a long time, disconnect it from the power source to avoid damage by transient overvoltage.
12. Never pour any liquid into an opening. This may cause fire or electrical shock.
13. Never open the equipment. For safety reasons, the equipment should be opened only by qualified service personnel.

If one of the following situations arises, get the equipment checked by service personnel:

- The power cord or plug is damaged.
- Liquid has penetrated into the equipment.
- The equipment has been exposed to moisture.
- The equipment does not work well, or you cannot get it work according to the user's manual.
- The equipment has been dropped and damaged.
- The equipment has obvious signs of breakage.

14. CAUTION: Risk of Explosion if Battery is replaced by an Incorrect Type. Dispose of Used Batteries According to the Instructions.

ATTENTION: Risque d'explosion si la batterie est remplacée par un type incorrect. Mettre au rebus les batteries usagées selon les instructions.

15. Equipment intended only for use in a RESTRICTED ACCESS AREA.
16. Ensure to connect the power cord of power adapter to a socket-outlet with earthing connection.
17. Dispose of used battery promptly. Keep away from children. Do not disassemble and do not dispose of in fire.

## Package Contents

Before installation, please ensure all the items listed in the following table are included in the package.

### CV-108R / CV-108C

Item	Description	Q'ty
1	CV-108 Display Module	1
2	Panel Mounting Kit	1

### CV-110R / CV-110C

Item	Description	Q'ty
1	CV-110 Display Module	1
2	Panel Mounting Kit	1

### CV-110HR / CV-110HC

Item	Description	Q'ty
1	CV-110H Display Module	1
2	Panel Mounting Kit	1

### CV-112HR / CV-112HC

Item	Description	Q'ty
1	CV-112H Display Module	1
2	Panel Mounting Kit	1

### CV-115R / CV-115C

Item	Description	Q'ty
1	CV-115 Display Module	1
2	Panel Mounting Kit	1

### CV-W115R / CV-W115C

Item	Description	Q'ty
1	CV-W115 Display Module	1
2	Panel Mounting Kit	1

### CV-117R / CV-117C / CV-117G

Item	Description	Q'ty
1	CV-117 Display Module	1



2	Panel Mounting Kit	1
---	--------------------	---

### CV-119R / CV-119C / CV-119G

Item	Description	Q'ty
1	CV-119 Display Module	1
2	Panel Mounting Kit	1

### CV-W121R / CV-W121C / CV-W121G

Item	Description	Q'ty
1	CV-W121 Display Module	1
2	Panel Mounting Kit	1

### CV-W124R / CV-W124C / CV-W124G

Item	Description	Q'ty
1	CV-W124 Display Module	1
2	Panel Mounting Kit	1

*Note: Notify your sales representative if any of the above items are missing or damaged.*

## Ordering Information

### Display Module with Resistive 5-wire Touch

Model No.	Product Description
CV-108R	8.4" TFT SVGA 4:3 Display Module with Resistive 5-wire Touch
CV-110R	10.4" TFT SVGA 4:3 Display Module with Resistive 5-wire Touch
CV-110HR	10.4" TFT XGA 4:3 Display Module with Resistive 5-wire Touch

CV-112HR	12.1" TFT XGA 4:3 Display Module with Resistive 5-wire Touch
CV-115R	15" TFT XGA 4:3 Display Module with Resistive 5-wire Touch
CV-W115R	15.6" TFT WXGA 16:9 Display Module with Resistive 5-wire Touch
CV-117R	17" TFT SXGA 5:4 Display Module with Resistive 5-wire Touch
CV-119R	19" TFT SXGA 5:4 Display Module with Resistive 5-wire Touch
CV-W121R	21.5" TFT Full HD 16:9 Display Module with Resistive 5-wire Touch
CV-W124R	24" TFT Full HD 16:9 Display Module with Resistive 5-wire Touch

#### Display Module with Projected Capacitive Touch

Model No.	Product Description
CV-108C	8.4" TFT SVGA 4:3 Display Module with Projected Capacitive Touch
CV-110C	10.4" TFT SVGA 4:3 Display Module with Projected Capacitive Touch
CV-110HC	10.4" TFT XGA 4:3 Display Module with Projected Capacitive Touch
CV-112HC	12.1" TFT XGA 4:3 Display Module with Projected Capacitive Touch
CV-115C	15" TFT XGA 4:3 Display Module with Projected Capacitive Touch
CV-W115C	15.6" TFT WXGA 16:9 Display Module with Projected Capacitive Touch

CV-117C	17" TFT SXGA 5:4 Display Module with Projected Capacitive Touch
CV-119C	19" TFT SXGA 5:4 Display Module with Projected Capacitive Touch
CV-W121C	21.5" TFT Full HD 16:9 Display Module with Projected Capacitive Touch
CV-W124C	24" TFT Full HD 16:9 Display Module with Projected Capacitive Touch

### Display Module with Glass

Model No.	Product Description
CV-117G	17" TFT SXGA 5:4 Display Module with Glass
CV-119G	19" TFT SXGA 5:4 Display Module with Glass
CV-W121G	21.5" TFT Full HD 16:9 Display Module with Glass
CV-W124G	24" TFT Full HD 16:9 Display Module with Glass



# **Chapter 1**

## **Product Introductions**

## 1.1 Overview

CV-100 Series is LCD display module with resistive 5-wire touch, projected capacitive touch, or glass only (available on selected models). CV-100 Series features flat surface and IP65 dust/waterproof front panel. In addition, designed with aluminum die-cast front frame, it is rugged and reliable for industrial environment. With support for Convertible Display System (CDS) technology, CV-100 Series allows you to configure, upgrade and maintain your Convertible Display System easily.

## 1.2 Key Features

- 8.4" ~ 24" TFT LCD with Resistive 5-wire Touch, Projected Capacitive Touch or Glass Only (Available on Selected Models)
- Designed with Rugged Aluminum Die-casting Front Bezel
- True Flat IP65 Front Panel Protection
- Convertible Display System (CDS) Technology Supported

## 1.3 Hardware Specification

### 1.3.1 CV-108R/CV-108C

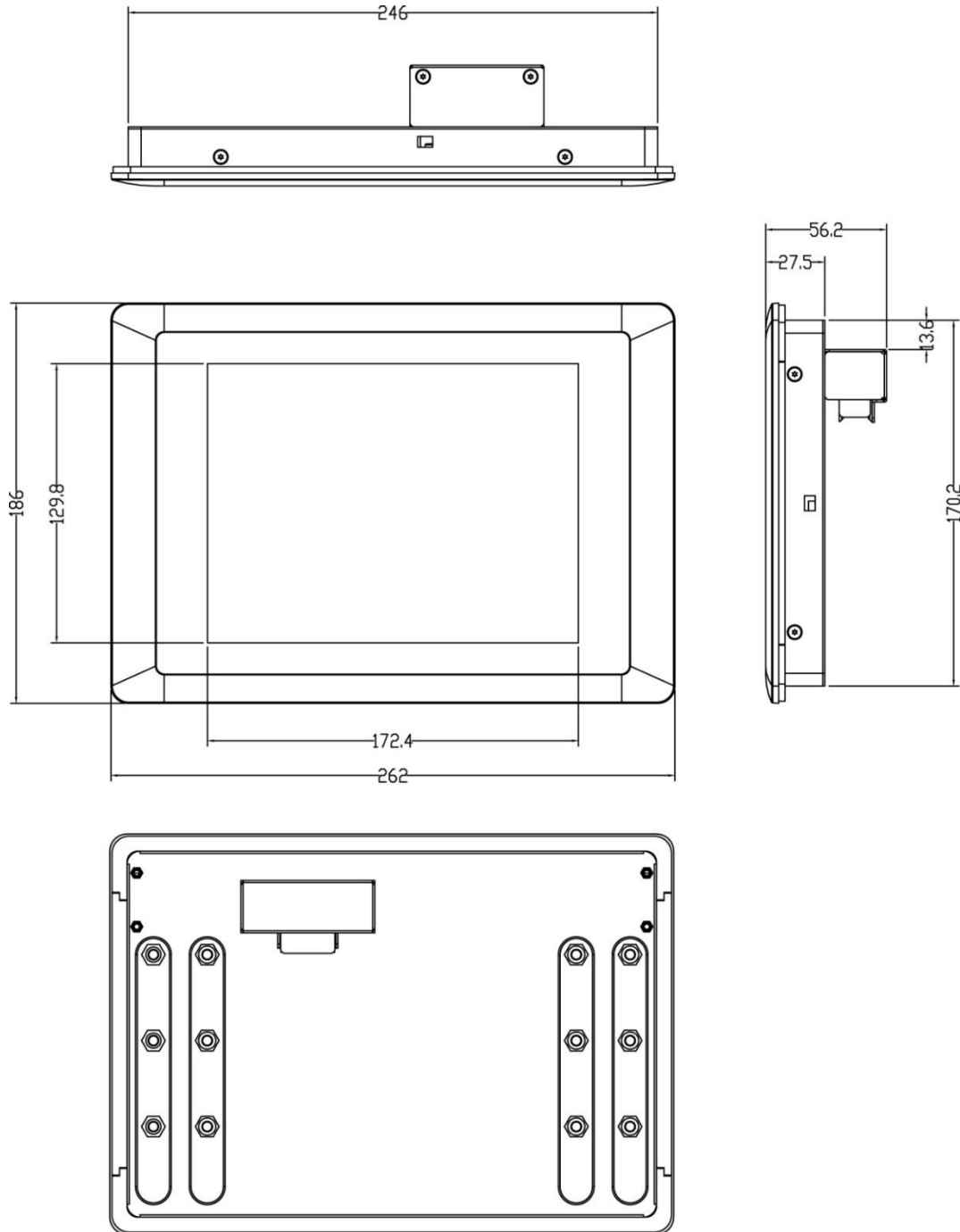
Model Name	CV-108R	CV-108C
<b>Display</b>		
LCD Size	• 8.4" (4:3)	
Max. Resolution	• 800 x 600	
Brightness (cd/m2)	• 400	
Contract Ratio	• 600 : 1	
LCD Color	• 262K	
Pixel Pitch(mm)	• 0.213 (H) x 0.213 (V)	
Viewing Angle (H-V)	• 150 / 130	
Backlight MTBF	• 30,000 hrs (LED Backlight)	
<b>Touchscreen</b>		
Touch Type	• Resistive 5-wire	• Projected Capacitive
<b>Physical</b>		
Dimension (WxDxH)	• 262 x 186.2 x 56.2mm	
Weight	• 1.62kg	• 1.58kg
Mechanical Construction	• Die-Casting Flat Surface	
<b>Environment</b>		
Front Panel Protection	• IP 65 Compliant	
Operating Temperature	• -20°C to 70°C (with Industrial Grade peripherals; Ambient with air flow)	
Storage Temperature	• -30°C to 80°C	• -20°C to 70°C
Relative Humidity	• 80% RH @ 50°C (Non-condensing)	• 85% RH @ 50°C (Non-condensing)
Safety	• UL, cUL, CB, IEC, EN 62368-1	

*\* Product Specifications and features are for reference only and are subject to change without prior notice. For more information, please refer to the latest product datasheet from Cincoze's website.*

# Dimension

CV-108R/CV-108C

Unit: mm



### 1.3.2 CV-110R/CV-110C

Model Name	CV-110R	CV-110C
<b>Display</b>		
LCD Size	• 10.4" (4:3)	
Max. Resolution	• 800 x 600	
Brightness (cd/m2)	• 400	
Contract Ratio	• 700 : 1	
LCD Color	• 16.2M	
Pixel Pitch(mm)	• 0.264 (H) x 0.264 (V)	
Viewing Angle (H-V)	• 160 / 130	
Backlight MTBF	• 70,000 hrs (LED Backlight)	
<b>Touchscreen</b>		
Touch Type	• Resistive 5-wire	• Projected Capacitive
<b>Physical</b>		
Dimension (WxDxH)	• 295 x 227.3 x 56.2 mm	
Weight	• 2.24 kg	
Construction	• Die-Casting Flat Surface	
<b>Environment</b>		
Front Panel Protection	• IP 65 Compliant	
Operating Temperature	• Ambient with Air flow: -20°C to 75°C (with Industrial Grade Peripherals)	• Ambient with Air flow: -10°C to 70°C (with Industrial Grade Peripherals)
Storage Temperature	• -30°C to 80°C	
Relative Humidity	• 80% RH @ 40°C (Non-condensing)	
Safety	• UL, cUL, CB, IEC, EN 62368-1	

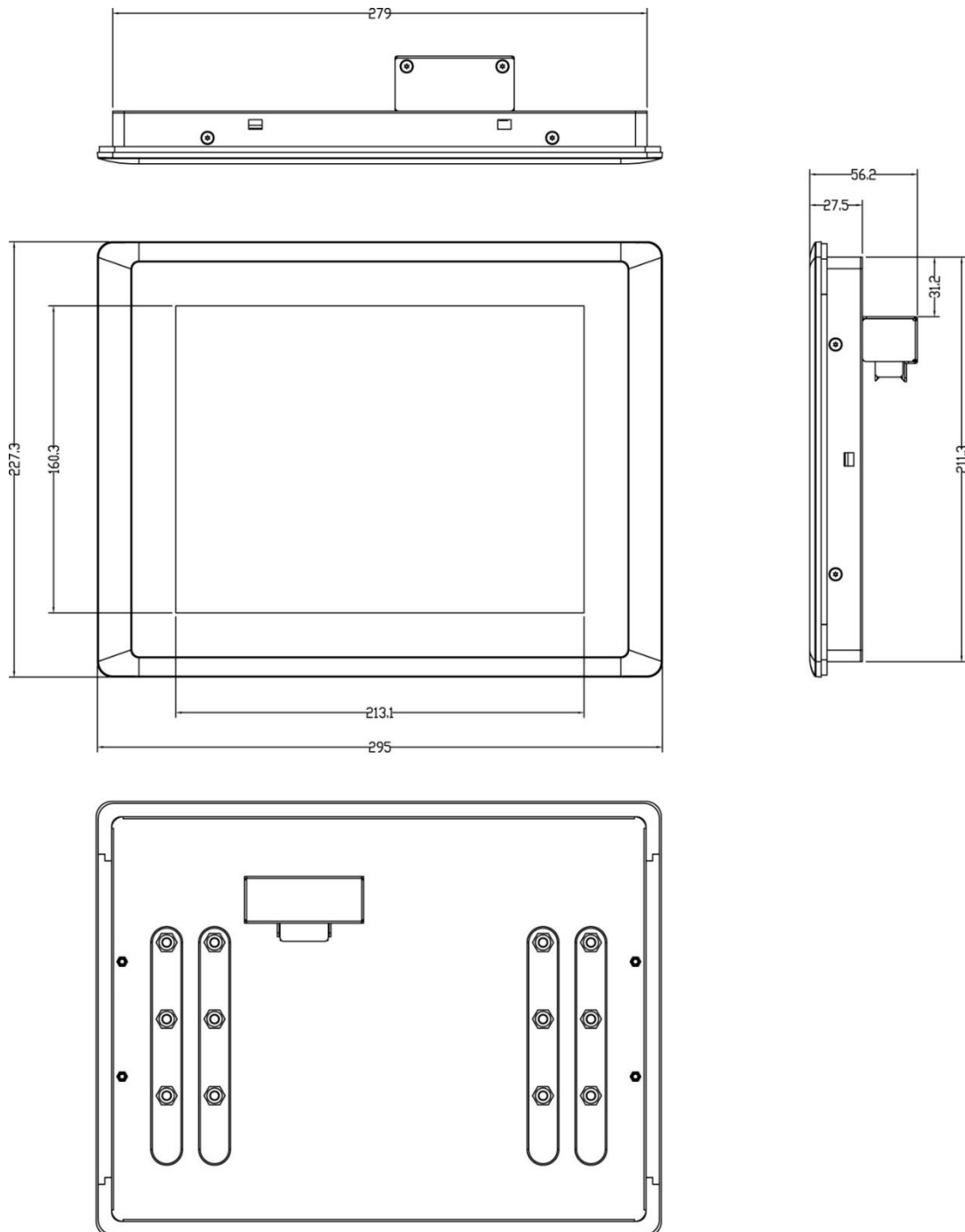
*\* Product Specifications and features are for reference only and are subject to change without prior notice. For more information, please refer to the latest product datasheet from Cincoze's website.*



## Dimension

CV-110R/CV-110C

Unit: mm



### 1.3.3 CV-110HR/CV-110HC

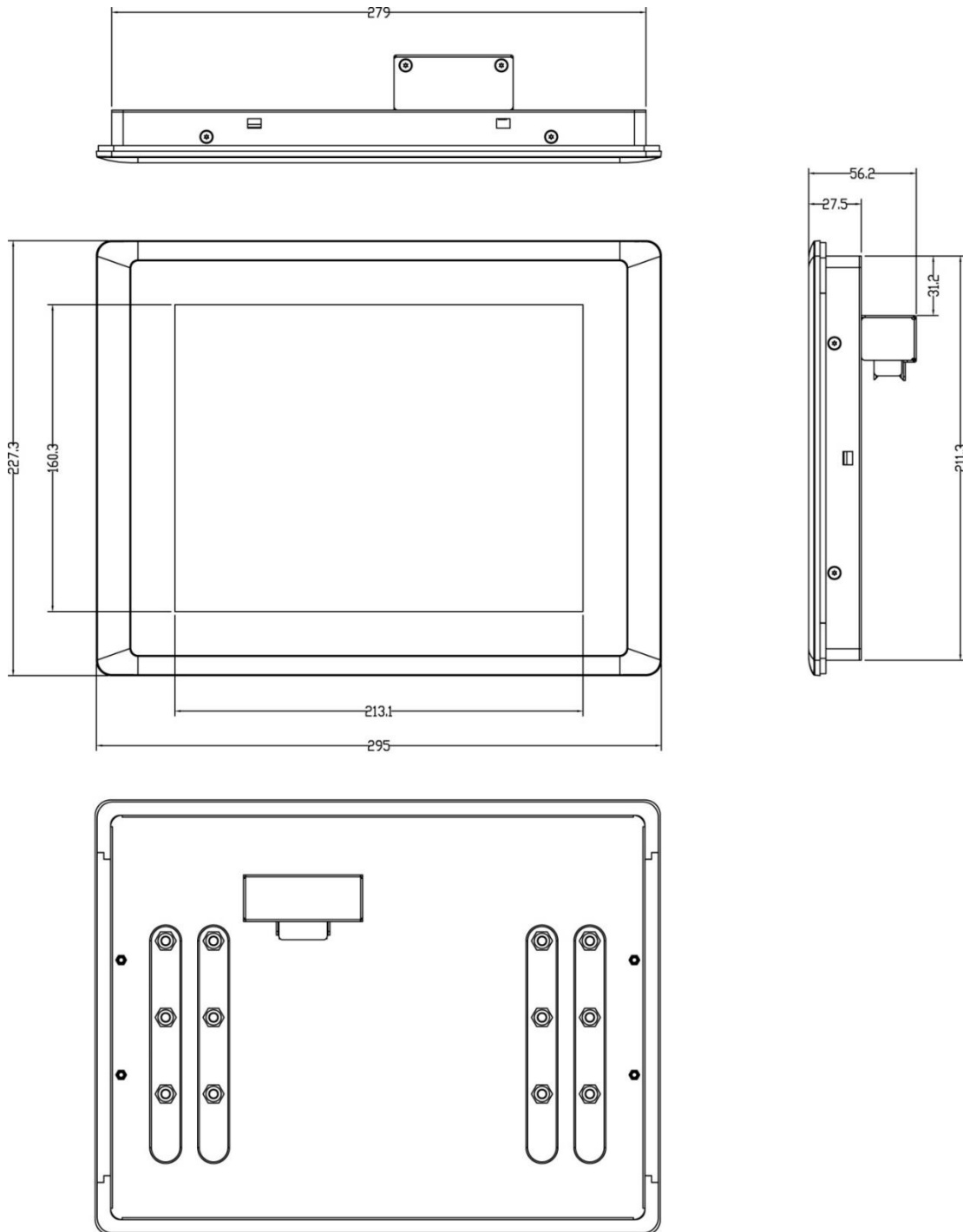
Model Name	CV-110HR	CV-110HC
<b>Display</b>		
LCD Size	• 10.4" (4:3)	
Max. Resolution	• 1024 x 768	
Brightness (cd/m2)	• 400	
Contract Ratio	• 1400 : 1	
LCD Color	• 16.2M	
Pixel Pitch(mm)	• 0.2055 (H) x 0.2055 (V)	
Viewing Angle (H-V)	• 178 / 178	
Backlight MTBF	• 50,000 hrs (LED Backlight)	
<b>Touchscreen</b>		
Touch Type	• Resistive 5-wire	• Projected Capacitive
<b>Physical</b>		
Dimension (WxDxH)	• 295 x 227.3 x 56.2 mm	
Weight	• 2.24 kg	
Construction	• Die-Casting Flat Surface	
<b>Environment</b>		
Front Panel Protection	• IP 65 Compliant	
Operating Temperature	• Ambient with Air flow: -20°C to 75°C (with Industrial Grade Peripherals)	• Ambient with Air flow: -10°C to 70°C (with Industrial Grade Peripherals)
Storage Temperature	• -30°C to 80°C	
Relative Humidity	• 80% RH @ 40°C (Non-condensing)	
Safety	• UL, cUL, CB, IEC, EN 62368-1	

*\* Product Specifications and features are for reference only and are subject to change without prior notice. For more information, please refer to the latest product datasheet from Cincoze's website.*

## Dimension

CV-110HR/CV-110HC

Unit: mm



### 1.3.4 CV-112HR/CV-112HC

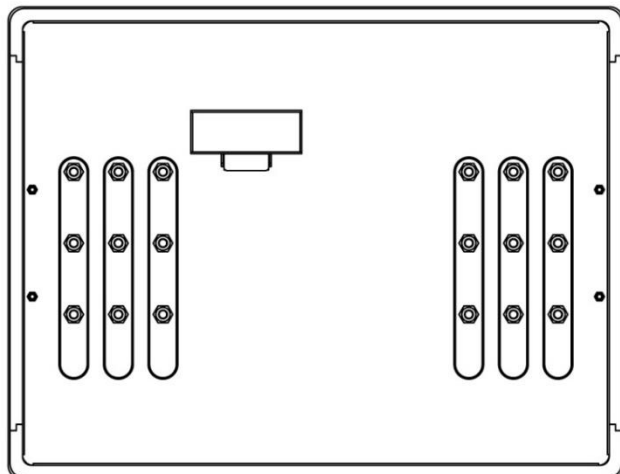
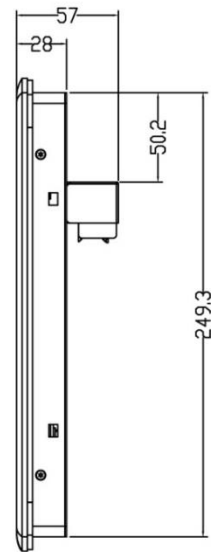
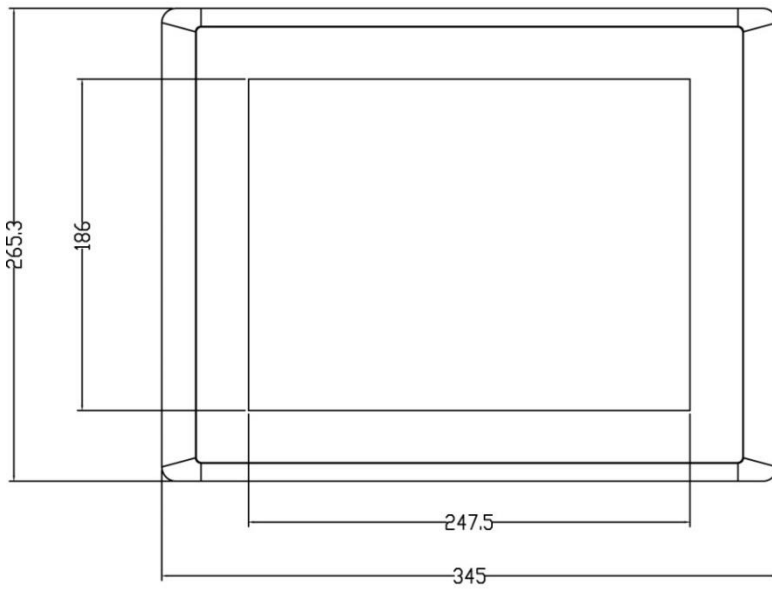
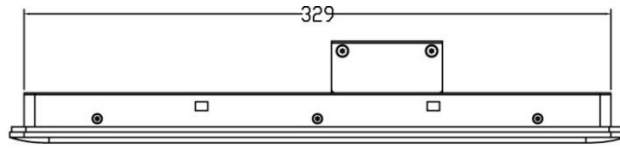
Model Name	CV-112HR	CV-112HC
<b>Display</b>		
LCD Size	• 12.1" (4:3)	
Max. Resolution	• 1024 x 768	
Brightness (cd/m2)	• 500	
Contract Ratio	• 700 : 1	
LCD Color	• 16.2M	
Pixel Pitch(mm)	• 0.24 (H) x 0.24 (V)	
Viewing Angle (H-V)	• 160 / 160	
Backlight MTBF	• 30,000 hrs (LED Backlight)	
<b>Touchscreen</b>		
Touch Type	• Resistive 5-wire	• Projected Capacitive
<b>Physical</b>		
Dimension (WxDxH)	• 345 x 265.3 x 57 mm	
Weight	• 3.16 kg	
Construction	• Die-Casting Flat Surface	
<b>Environment</b>		
Front Panel Protection	• IP 65 Compliant	
Operating Temperature	• Ambient with Air flow: -20°C to 75°C (with Industrial Grade Peripherals)	• Ambient with Air flow: -20°C to 80°C (with Industrial Grade Peripherals)
Storage Temperature	• -30°C to 80°C	
Relative Humidity	• 80% RH @ 40°C (Non-condensing)	
Safety	• UL, cUL, CB, IEC, EN 62368-1	

*\* Product Specifications and features are for reference only and are subject to change without prior notice. For more information, please refer to the latest product datasheet from Cincoze's website.*

# Dimension

CV-112HR/CV-112HC

Unit: mm



### 1.3.5 CV-115R/CV-115C

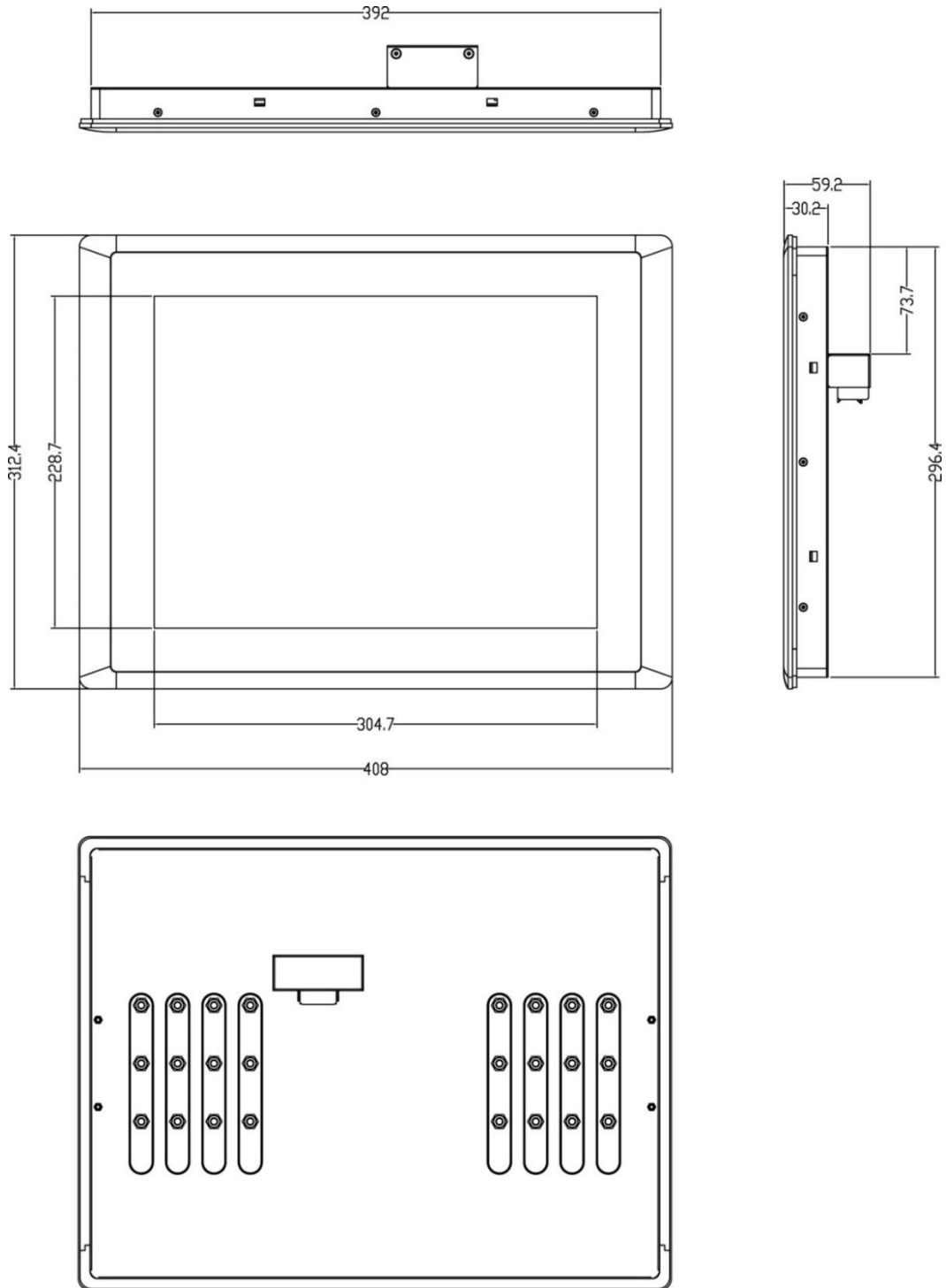
Model Name	CV-115R	CV-115C
<b>Display</b>		
LCD Size	• 15" (4:3)	
Max. Resolution	• 1024 x 768	
Brightness (cd/m2)	• 350	
Contract Ratio	• 800 : 1	
LCD Color	• 16.2M	
Pixel Pitch(mm)	• 0.297 (H) x 0.297 (V)	
Viewing Angle (H-V)	• 160 / 150	
Backlight MTBF	• 50,000 hrs (LED Backlight)	
<b>Touchscreen</b>		
Touch Type	• Resistive 5-wire	• Projected Capacitive
<b>Physical</b>		
Dimension (WxDxH)	• 408 x 312.4 x 59.2 mm	
Weight	• 4.36 kg	
Construction	• Die-Casting Flat Surface	
<b>Environment</b>		
Front Panel Protection	• IP 65 Compliant	
Operating Temperature	• Ambient with Air flow: 0°C to 65°C (with Industrial Grade Peripherals)	
Storage Temperature	• -20°C to 65°C	
Relative Humidity	• 80% RH @ 40°C (Non-condensing)	
Safety	• UL, cUL, CB, IEC, EN 62368-1	

*\* Product Specifications and features are for reference only and are subject to change without prior notice. For more information, please refer to the latest product datasheet from Cincoze's website.*

# Dimension

CV-115R/CV-115C

Unit: mm



### 1.3.6 CV-W115R/CV-W115C

Model Name	CV-W115R	CV-W115C
<b>Display</b>		
LCD Size	• 15.6" (16:9)	
Max. Resolution	• 1366 x 768(WXGA)	
Brightness (cd/m2)	• 400	
Contract Ratio	• 500 : 1	
LCD Color	• 16.2M	
Pixel Pitch(mm)	• 0.252 (H) x 0.252 (V)	
Viewing Angle (H-V)	• 170 / 160	
Backlight MTBF	• 50,000 hrs (LED Backlight)	
<b>Touchscreen</b>		
Touch Type	• Resistive 5-wire	• Projected Capacitive
<b>Physical</b>		
Dimension (WxDxH)	• 420 x 254 x 66.2 mm	
Weight	• 4.25 kg	
Construction	• Die-Casting Flat Surface	
<b>Environment</b>		
Front Panel Protection	• IP 65 Compliant	
Operating Temperature	• Ambient with Air flow: 0°C to 60°C (with Industrial Grade Peripherals)	
Storage Temperature	• -20°C to 60°C	
Relative Humidity	• 80% RH @ 40°C (Non-condensing)	
Safety	• UL, cUL, CB, IEC, EN 62368-1	

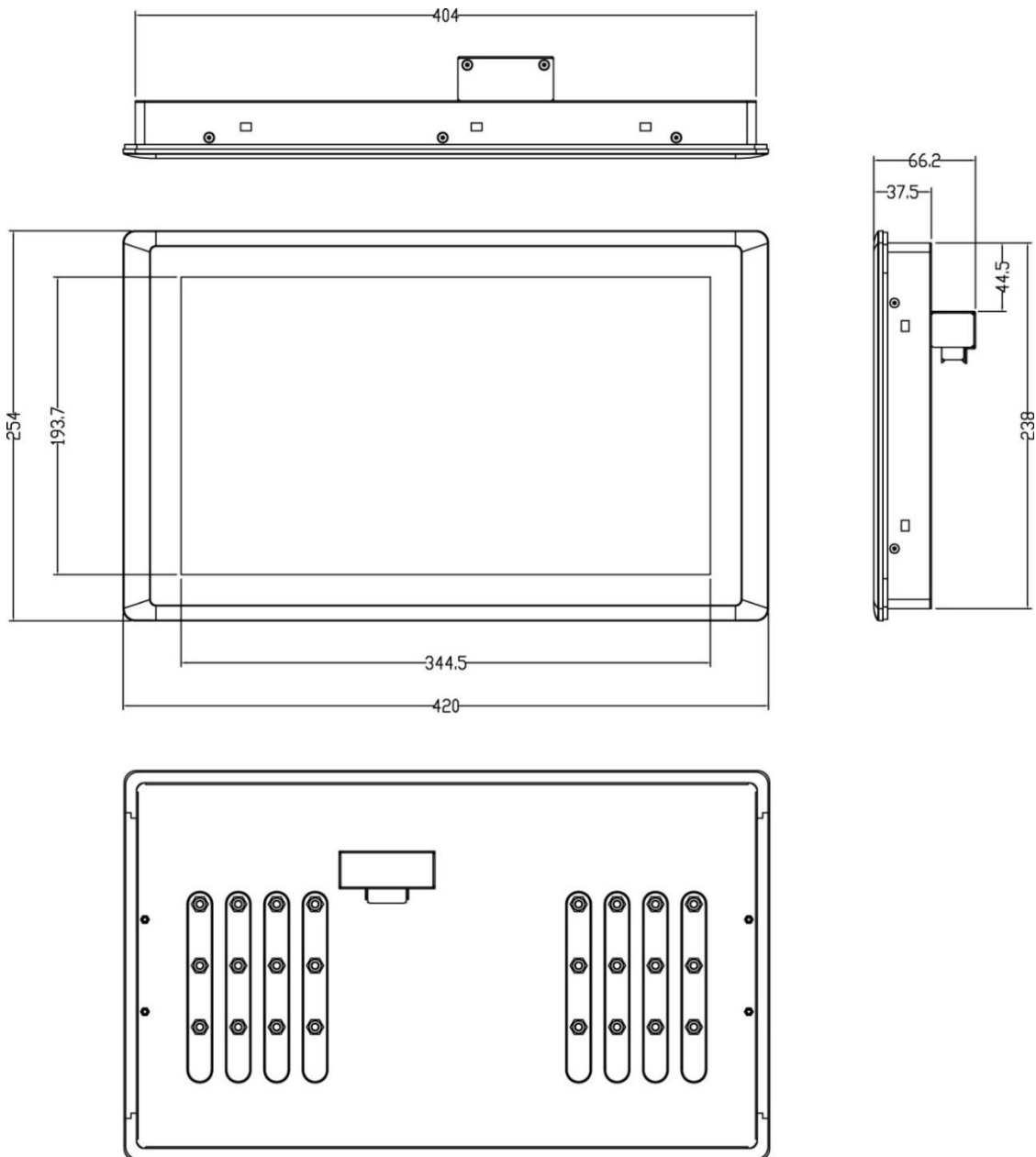
*\* Product Specifications and features are for reference only and are subject to change without prior notice. For more information, please refer to the latest product datasheet from Cincoze's website.*



## Dimension

CV-W115R/CV-W115C

Unit: mm



### 1.3.7 CV-117R/CV-117C/CV-117G

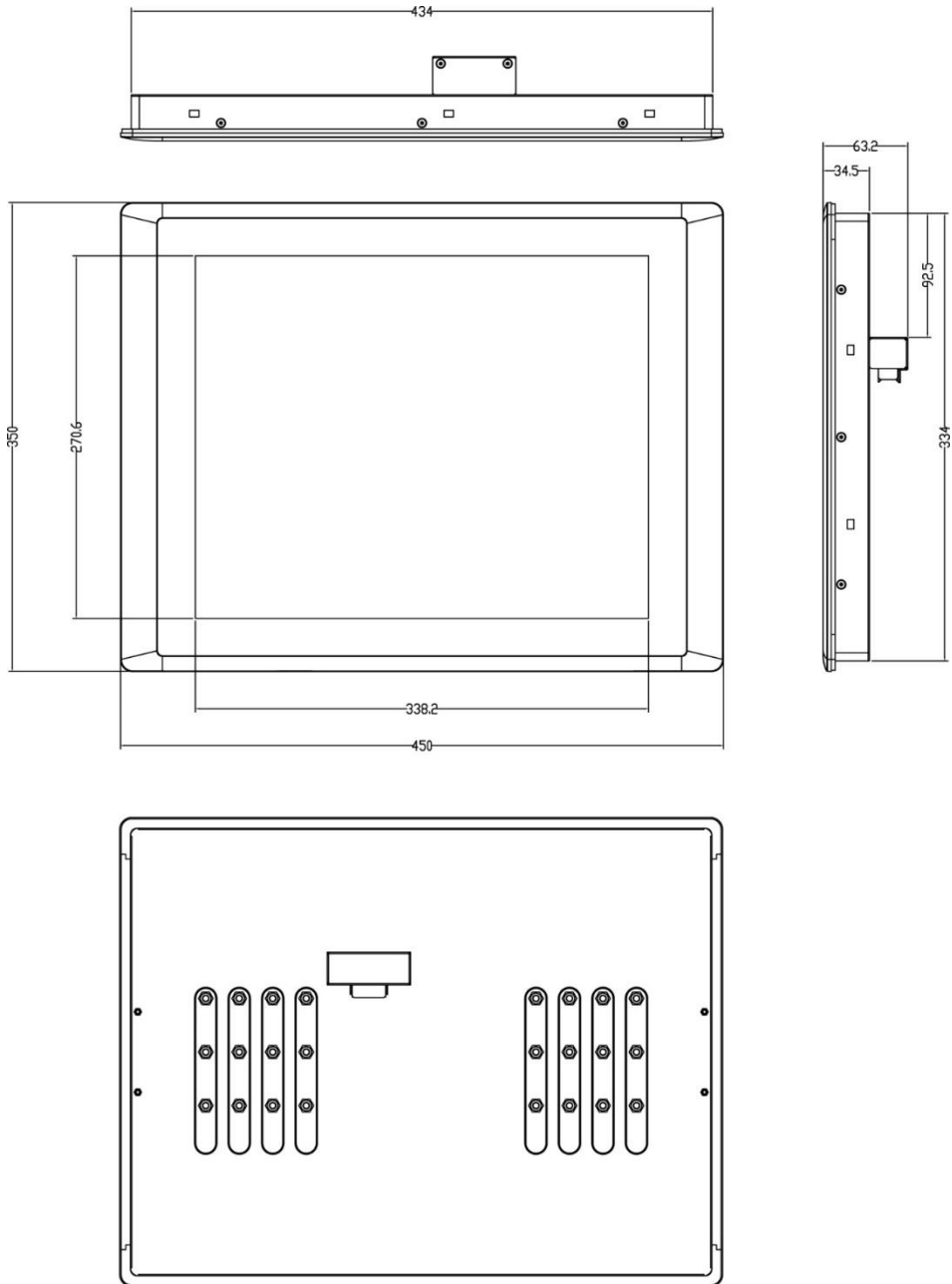
Model Name	CV-117R	CV-117C	CV-117G
<b>Display</b>			
LCD Size	• 17" (5:4)		
Max. Resolution	• 1280 x 1024		
Brightness (cd/m2)	• 350		
Contract Ratio	• 800 : 1		
LCD Color	• 16.2M		
Pixel Pitch(mm)	• 0.264 (H) x 0.264 (V)		
Viewing Angle (H-V)	• 160 / 140		
Backlight MTBF	• 50,000 hrs (LED Backlight)		
<b>Touchscreen</b>			
Touch Type	• Resistive 5-wire	• Projected Capacitive	• Glass Screen
<b>Physical</b>			
Dimension (WxDxH)	• 450 x 350 x 63.2 mm		
Weight	• 5.64 kg		
Mechanical Construction	• Die-Casting Flat Surface		
<b>Environment</b>			
Front Panel Protection	• IP 65 Compliant		
Operating Temperature	• Ambient with Air flow: -20°C to 75°C (with Industrial Grade Peripherals)	• Ambient with Air flow: -20°C to 80°C (with Industrial Grade Peripherals)	• Ambient with Air flow: -30°C to 85°C (with Industrial Grade Peripherals)
Storage Temperature	• -30°C to 80°C		
Relative Humidity	• 80% RH @ 40°C (Non-condensing)		
Safety	• UL, cUL, CB, IEC, EN 62368-1		

*\* Product Specifications and features are for reference only and are subject to change without prior notice. For more information, please refer to the latest product datasheet from Cincoze's website.*

## Dimension

CV-117R/CV-117C/CV-117G

Unit: mm



### 1.3.8 CV-119R/CV-119C/CV-119G

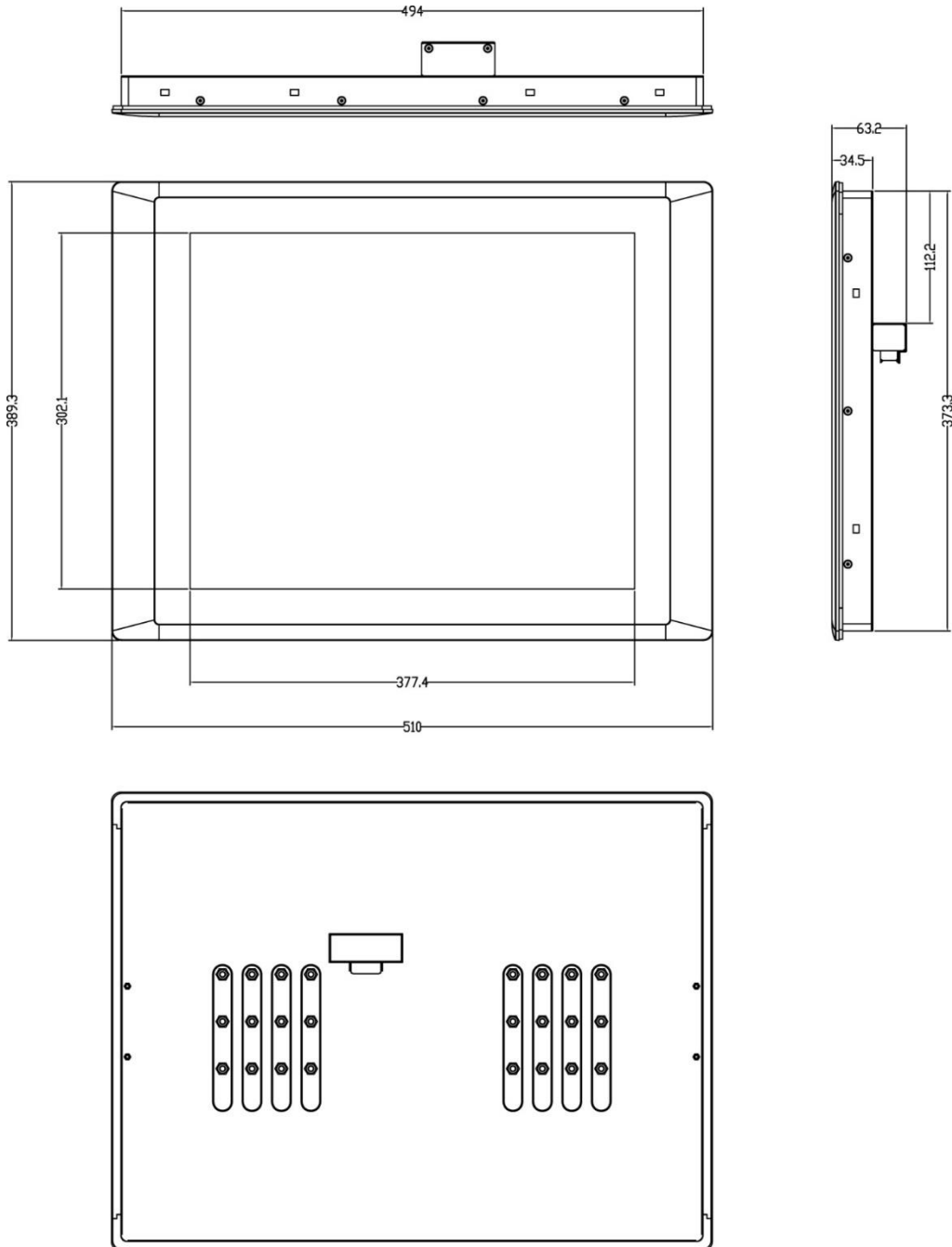
Model Name	CV-119R	CV-119C	CV-119G
<b>Display</b>			
LCD Size	• 19" (5:4)		
Max. Resolution	• 1280 x 1024		
Brightness (cd/m2)	• 350		
Contract Ratio	• 1000 : 1		
LCD Color	• 16.7M		
Pixel Pitch(mm)	• 0.294 (H) x 0.294 (V)		
Viewing Angle (H-V)	• 170 / 160		
Backlight MTBF	• 50,000 hrs (LED Backlight)		
<b>Touchscreen</b>			
Touch Type	• Resistive 5-wire	• Projected Capacitive	• Glass Screen
<b>Physical</b>			
Dimension (WxDxH)	• 510 x 389.3 x 63.2 mm		
Weight	• 6.96 kg		
Mechanical Construction	• Die-Casting Flat Surface		
<b>Environment</b>			
Front Panel Protection	• IP 65 Compliant		
Operating Temperature	• Ambient with Air flow: 0°C to 50°C (with Industrial Grade Peripherals)		
Storage Temperature	• -20°C to 60°C		
Relative Humidity	• 80% RH @ 50°C (Non-condensing)		
Safety	• UL, cUL, CB, IEC, EN 62368-1		

*\* Product Specifications and features are for reference only and are subject to change without prior notice. For more information, please refer to the latest product datasheet from Cincoze's website.*

## Dimension

CV-119R/CV-119C/CV-119G

Unit: mm



### 1.3.9 CV-W121R/CV-W121C/CV-W121G

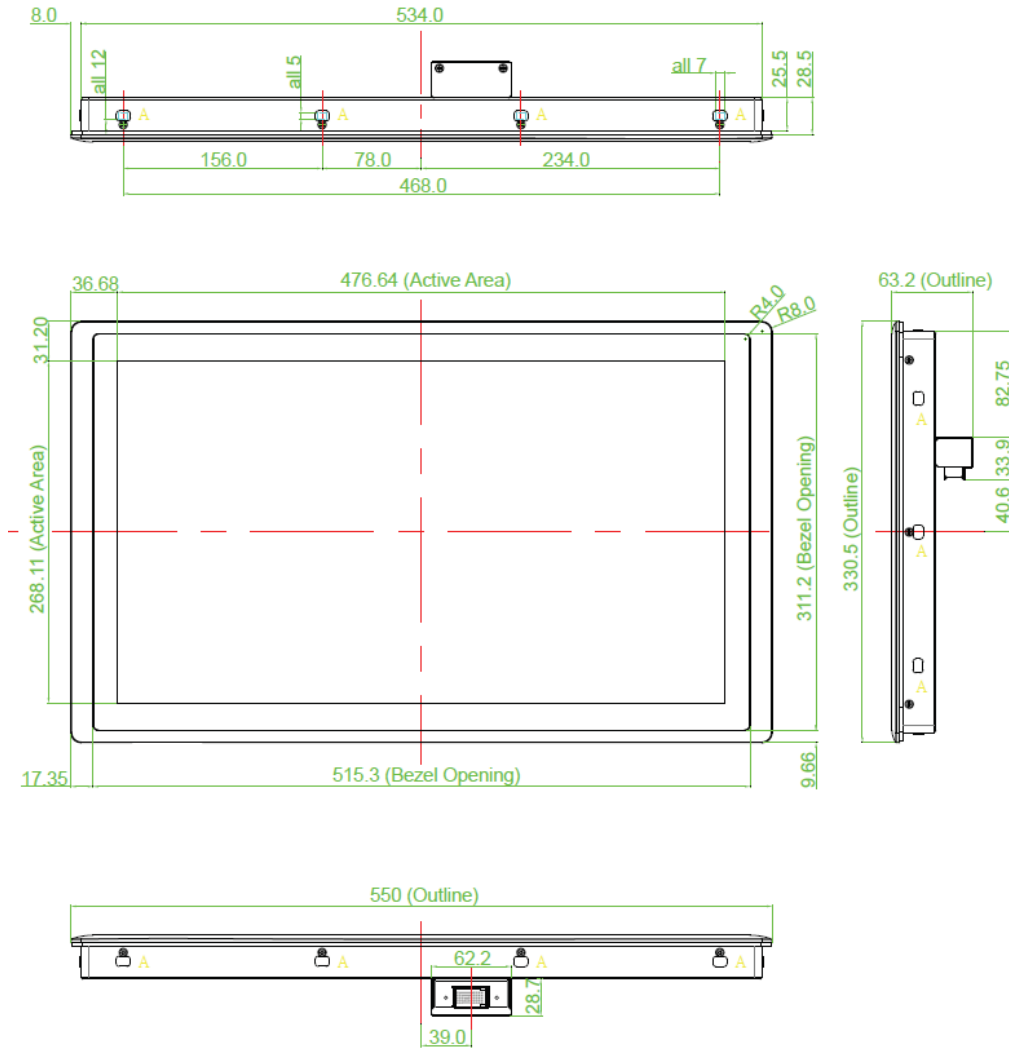
Model Name	CV-W121R	CV-W121C	CV-W121G
<b>Display</b>			
LCD Size	• 21.5" (16:9)		
Max. Resolution	• 1920 x 1080		
Brightness (cd/m2)	• 350		
Contract Ratio	• 5000 : 1		
LCD Color	• 16.7M		
Pixel Pitch(mm)	• 0.24825 (H) x 0.24825 (V)		
Viewing Angle (H-V)	• 178 / 178		
Backlight MTBF	• 50,000 hrs (LED Backlight)		
<b>Touchscreen</b>			
Touch Type	• Resistive 5-wire	• Projected Capacitive	• Glass Screen
<b>Physical</b>			
Dimension (WxDxH)	• 550 x 330.5 x 63.2 mm		
Weight	• 5.56 kg		
Mechanical Construction	• Die-Casting Flat Surface		
<b>Environment</b>			
Front Panel Protection	• IP 65 Compliant		
Operating Temperature	• Ambient with Air flow: 0°C to 60°C (with Industrial Grade Peripherals)		
Storage Temperature	• -20°C to 60°C		
Relative Humidity	• 80% RH @ 40°C (Non-condensing)		
Safety	• UL, cUL, CB, IEC, EN 62368-1		

*\* Product Specifications and features are for reference only and are subject to change without prior notice. For more information, please refer to the latest product datasheet from Cincoze's website.*

# Dimension

CV-W121R/CV-W121C/CV-W121G

Unit: mm



### 1.3.10 CV-W124R/CV-W124C/CV-W124G

Model Name	CV-W124R	CV-W124C	CV-W124G
<b>Display</b>			
LCD Size	• 24" (16:9)		
Max. Resolution	• 1920 x 1080		
Brightness (cd/m2)	• 350		
Contract Ratio	• 5000 : 1		
LCD Color	• 16.7M		
Pixel Pitch(mm)	• 0.27675 (H) x 0.27675 (V)		
Viewing Angle (H-V)	• 178 / 178		
Backlight MTBF	• 50,000 hrs (LED Backlight)		
<b>Touchscreen</b>			
Touch Type	• Resistive 5-wire	• Projected Capacitive	• Glass Screen
<b>Physical</b>			
Dimension (WxDxH)	• 605 x 373 x 63.2 mm		
Weight	• 6.92 kg	• 6.64 kg	
Mechanical Construction	• Die-Casting Flat Surface		
<b>Environment</b>			
Front Panel Protection	• IP 65 Compliant		
Operating Temperature	• Ambient with Air flow: -10°C to 60°C (with Industrial Grade Peripherals)	• Ambient with Air flow: -20°C to 70°C (with Industrial Grade Peripherals)	
Storage Temperature	• -20°C to 70°C	• -30°C to 80°C	
Relative Humidity	• 80% RH @ 50°C (Non-condensing)		
Vibration	• --	• Operating, 1 Grms, 10-500 Hz, 3 Axes (w/ P2102E only, according to IEC60068-2-6)	• --
Safety	• UL, cUL, CB, IEC, EN 62368-1		

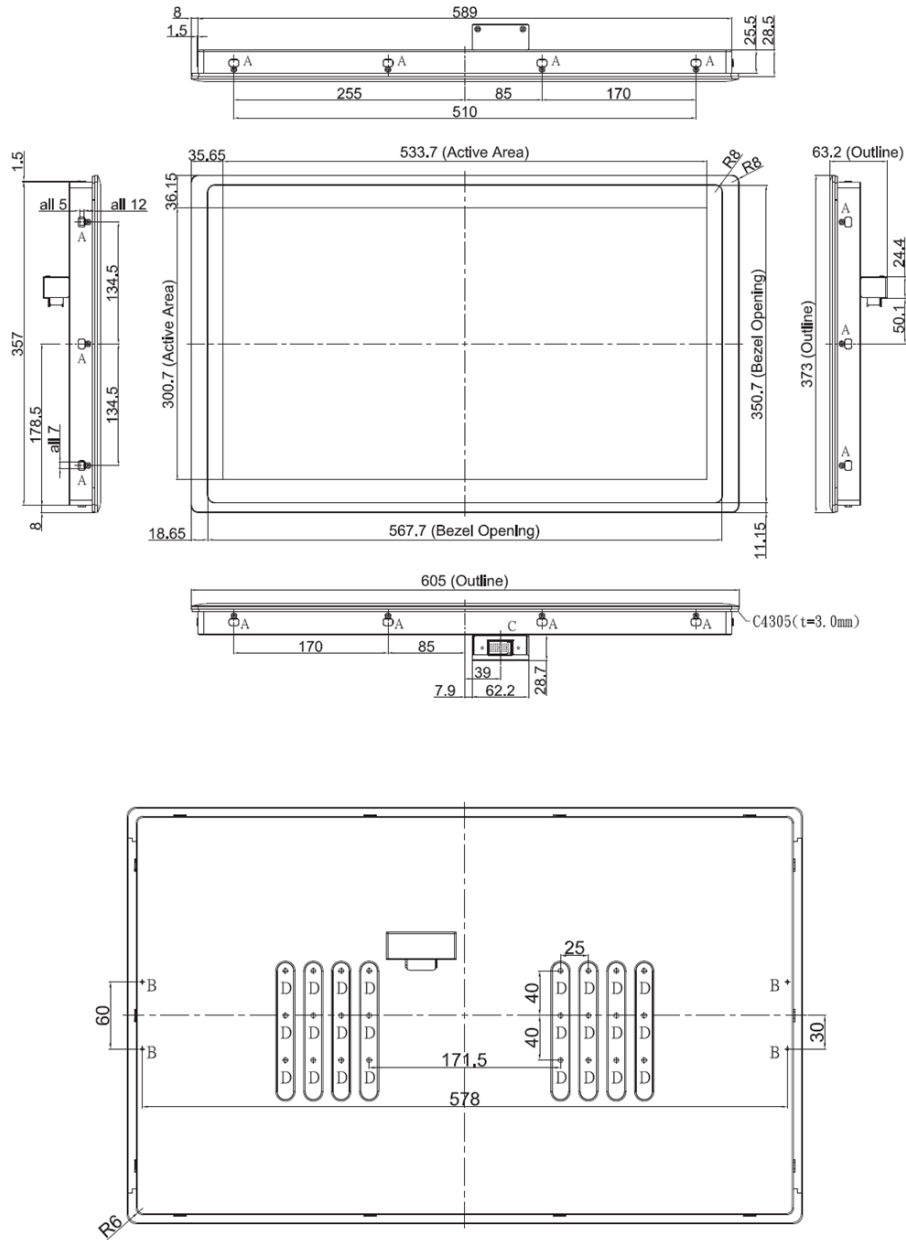
*\* Product Specifications and features are for reference only and are subject to change without prior notice. For more information, please refer to the latest product datasheet from Cincoze's website.*





# Dimension

CV-W124R/CV-W124C/CV-W124G

Unit: mm





# **Chapter 2**

## **System Setup**

## 2.1 Connecting with PC Module or Monitor Module



**WARNING**  
(AVERTIR)

In order to prevent electric shock or system damage, must turn off power and disconnect the unit from power source before removing the chassis cover.

(Afin d'éviter tout risque d'électrocution ou d'endommagement du système, vous devez couper l'alimentation et débrancher l'appareil de la source d'alimentation avant de retirer le couvercle du châssis.)

The photos show the male connector (on display module) and female connector (on PC module or monitor module)



**PC module**

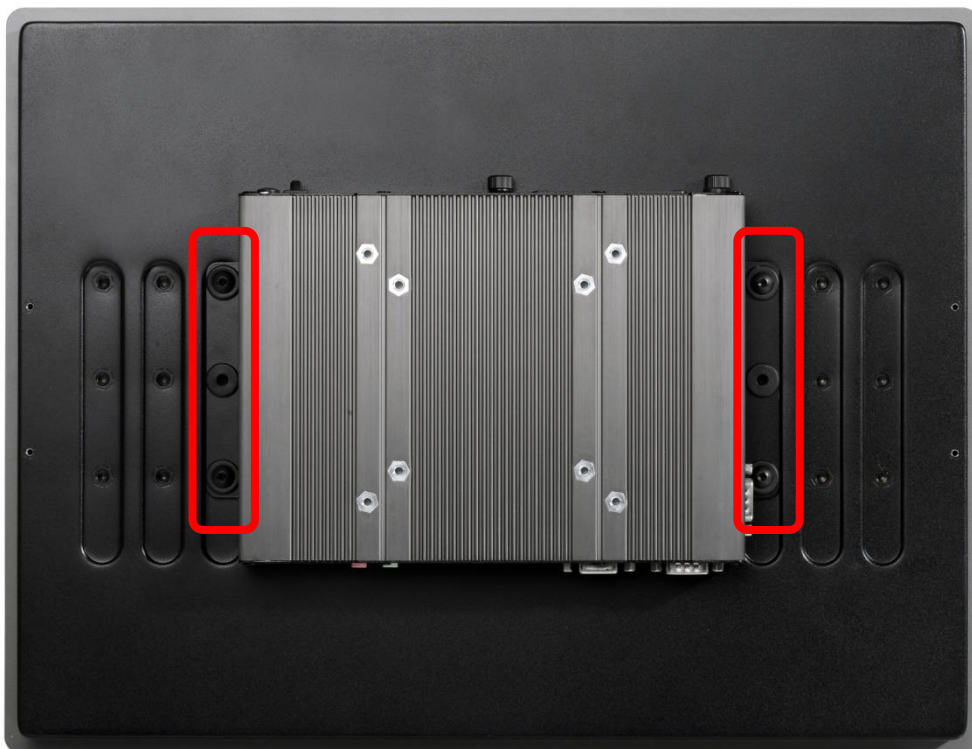


**Monitor module**

1. Connect the modules.

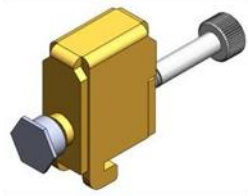


2. Fasten the 6 screws to fix the PC module or monitor module on the display module.

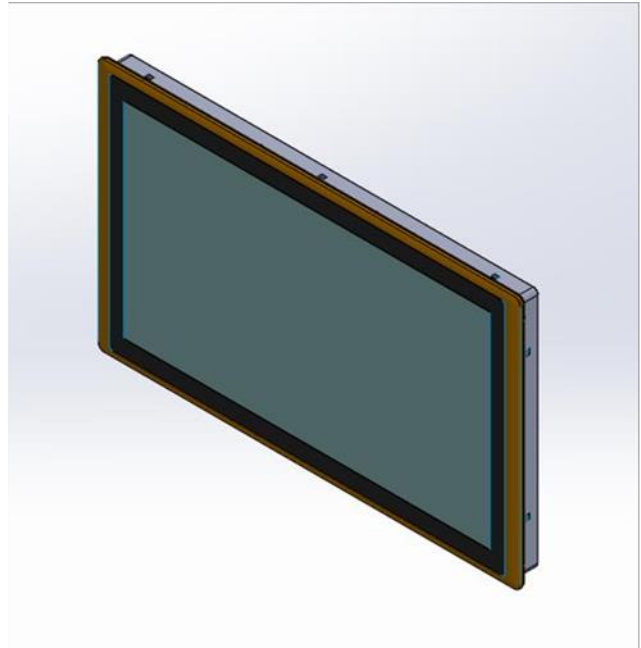


## 2.2 Installing Panel Mount

1. Accessories provided by Cincoze are as follows.



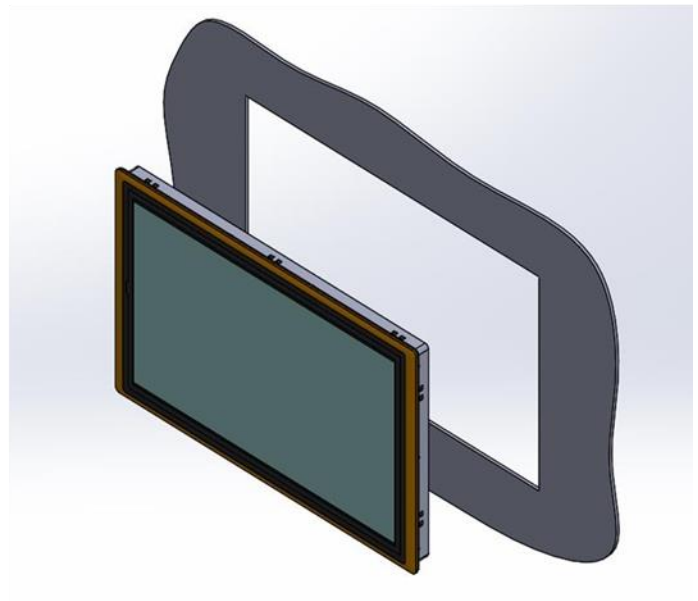
Mounting Kits



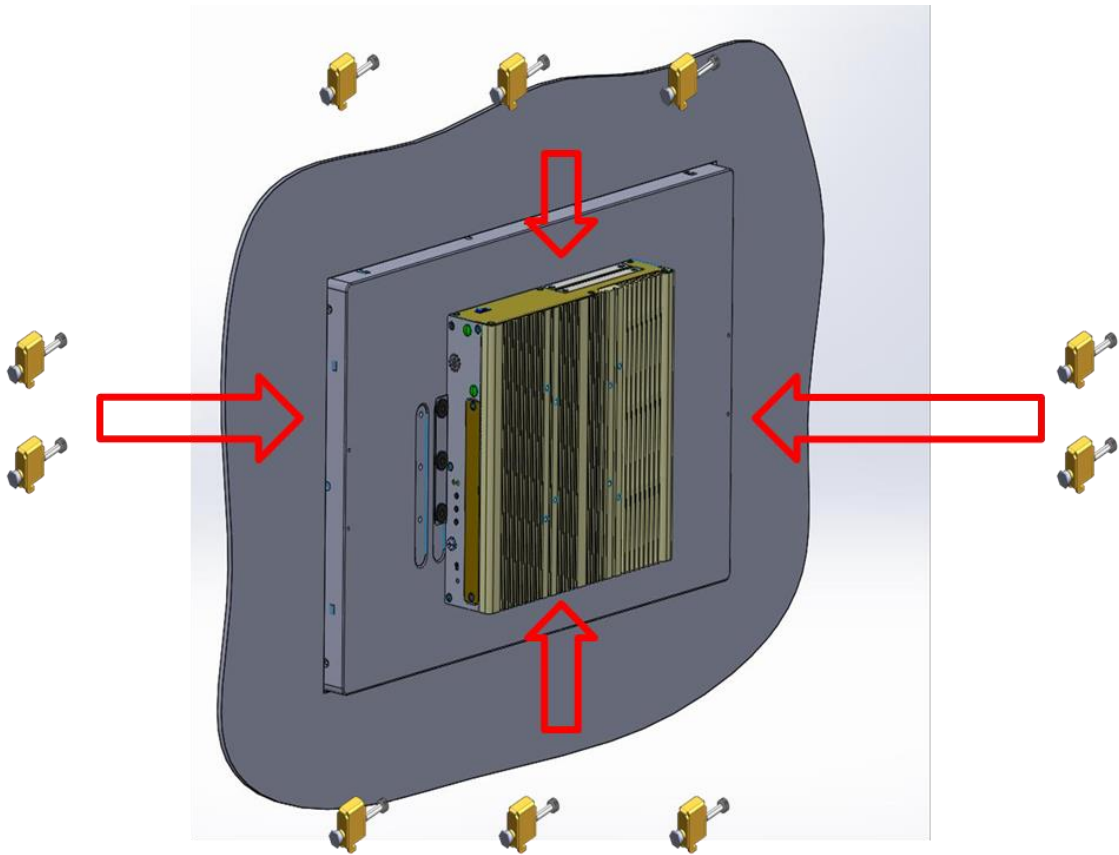
Panel Mount PPC

Before assembly, please prepare panel mount PPC and customer's fixture.

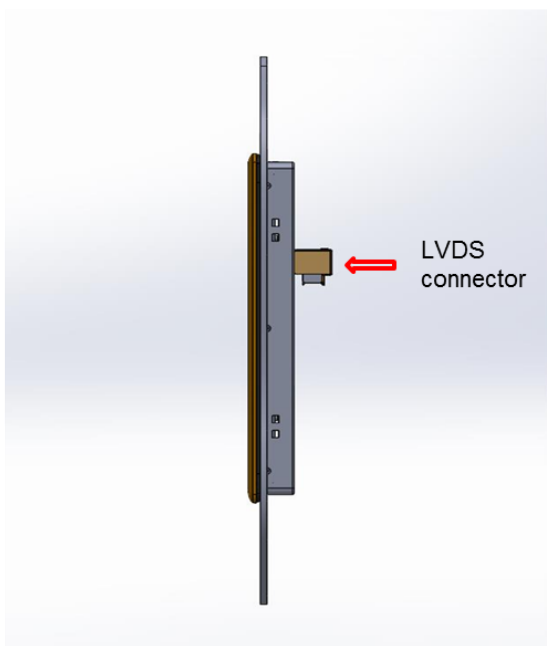
Panel Mount with customer's fixture  
(Front View)



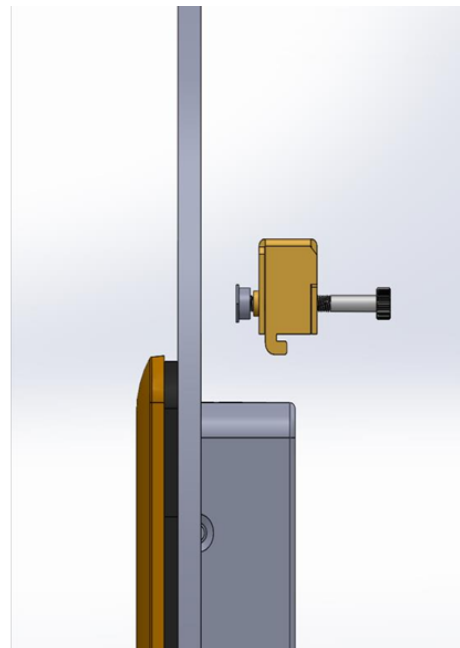
2. All mounting kits displayed are to be inserted into holes.



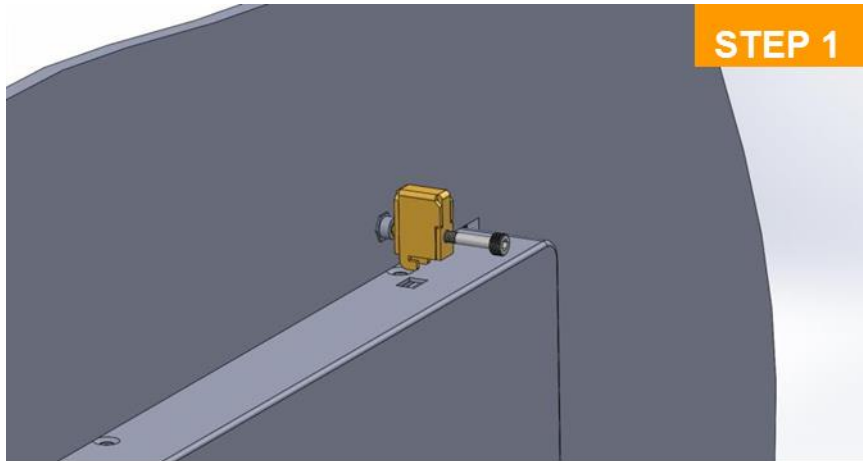
3. Installation preparation and steps.



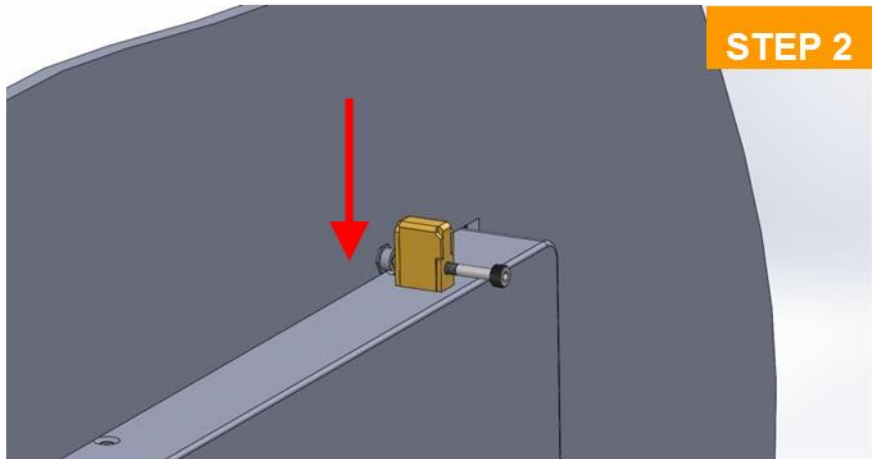
Panel mount side view with LVDS connector of CS series



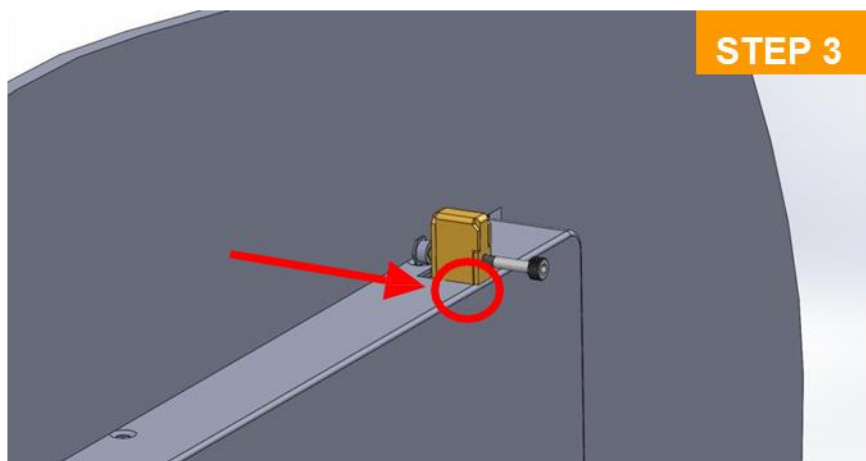
Before Mounting Kits are installed



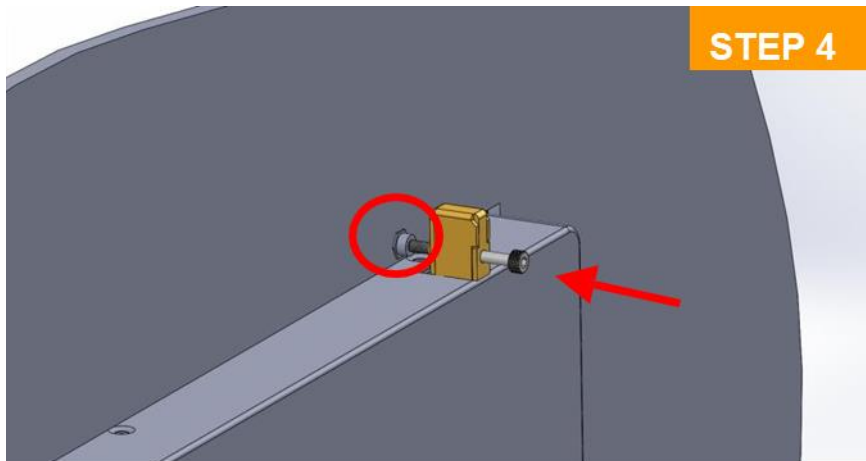
Position panel mount kits



Insert the panel mounting kit into bottom hole

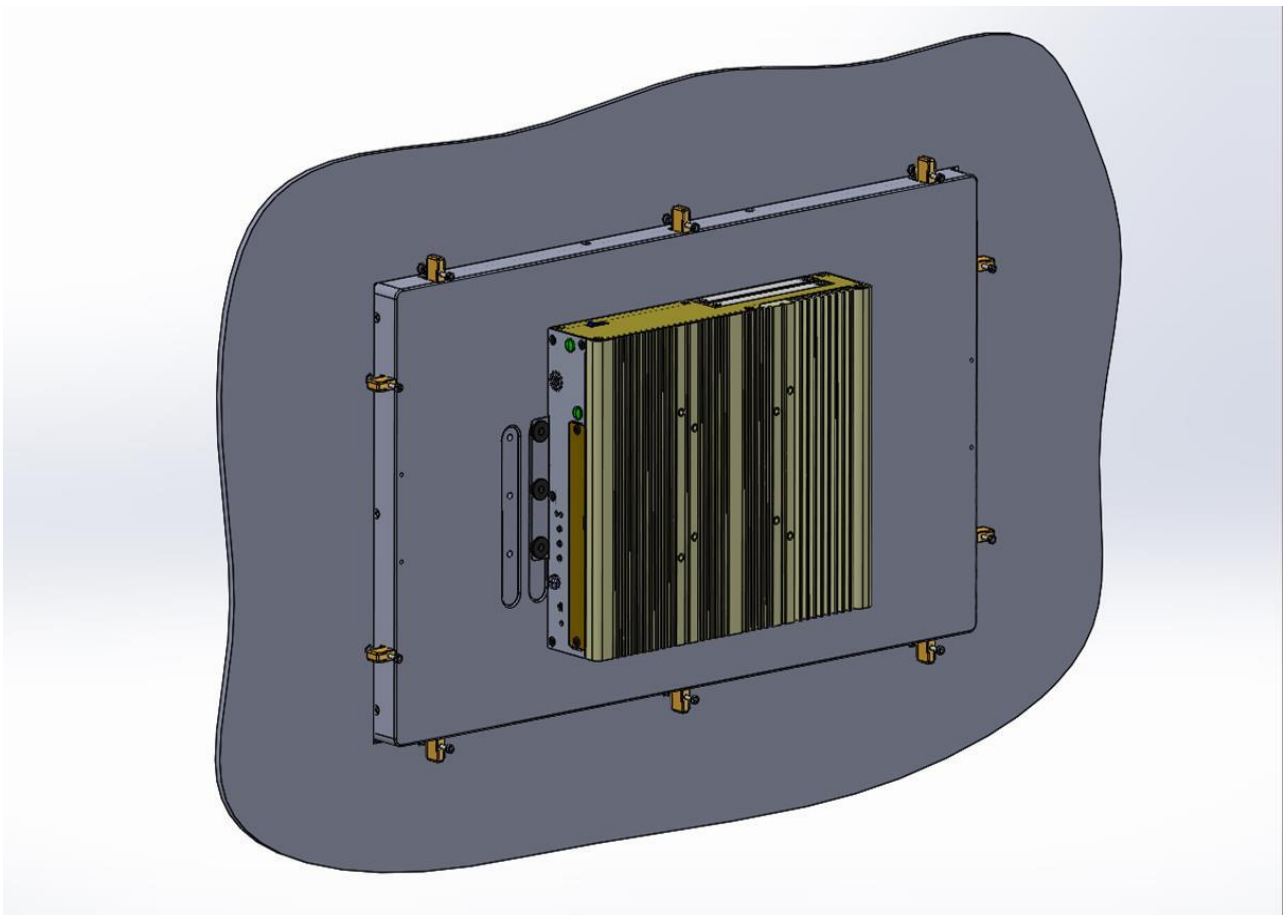


Slide the kit toward back



Tighten the screw forward until the front screw just touches the surface

4. Apply all mount kits to the rest of holes. And you have completed the panel mount installation, as shown below.





***cincoze***

© 2014 Cincoze Co., Ltd. All rights reserved.

The Cincoze logo is a registered trademark of Cincoze Co., Ltd.

All other logos appearing in this catalog are the intellectual property of the respective company, product, or organization associated with the logo.

All product specifications and information are subject to change without notice.